

FIRST FOR HIGH FLOW FILTRATION

Filtertechnik's Stainless Steel 4 round housings for exceptional filtration at high flow rates.



Our multi-cell housings are designed and built to the highest specifications with flow rates from 100 to 5,000 L/min. Available in either Stainless Steel or Carbon Steel, these high flow filter housings are ideal for bulk applications.

Extensively specified into:

- Oil & Gas
- Water treatment
- Mining
- Marine
- Power generation
- Automotive

PRODUCT OVERVIEW

Filbertechnik filter housings are designed for a wide range of industrial filtration applications. They are also suitable for use with the industry standard Filbertechnik 7" filter cells that are widely used in today's process, water, oil and fuel industries.

The housing will accept the full range of industry standard filter cells ranging from 1 to 1000 micron, along with a new range of High Efficiency cells for more critical applications.

In order to increase throughput, two or more filter housings can be connected in parallel to form duplex arrangements. This allows for both filters to be run simultaneously or for one filter to be isolated and serviced whilst the other is operational. Due to the low cost nature of the consumables, Filbertechnik filter housings are often used as sacrificial filters to offer excellent protection of more expensive filters elsewhere in the system. With operating pressures up to 10 bar, Filbertechnik filter housings offer excellent versatility and can be used as a primary or main filter.

OILS, FUELS, WATER AND PROCESS FLUIDS

The LCPF series filter cell housing is very flexible with adjustable legs and bottom or side outlet connection. This makes it ideal for batch applications, where free draining and frequent process changes take place. Distinguished by its economy, high build quality and wide ranging options list, this housing can be used with almost all liquids used in processing industries.

LCPF SERIES MULTI-CELL HOUSINGS - 4 FILTER CELLS

PRODUCT SPECIFICATION

- /// Rugged at 10 bar liquid, 4.5 bar gas
- /// Rugged Stainless Steel Construction
- /// High Flow Rates
- /// Enormous dirt holding capacity
- /// Wide selection of micron size inserts available
- /// Compact footprint with bolt down legs
- /// Internal O-ring seal for extra filtration efficiency
- /// Drain port at base of housing

FEATURES

- /// Large-area, heavy-duty baskets
- /// O-ring: Buna N, EP, Viton, Teflon
- /// Connection standard include: DIN, JLS, ANSI
- /// Low pressure drops
- /// Multi-baskets are available
- /// Covers are secured by eye nut assemblies
- /// Easy to clean basket, basket holds down
- /// 1" - 2" drain port
- /// 1/4" to 1" pressure gauge / vent tap
- /// Polish or blasted finish

BENEFITS

- /// Minimise risk of seal bypass
- /// Integral vent to aid efficient filter change-out
- /// Each housing is etched with a unique serial number for full traceability
- /// Available from stock for immediate delivery
- /// Bolted style closures
- /// Conform and exceed required safety standards - CE marked, European Pressure Equipment Directive, 97/23/EC and ATEX Directive 94/9/EC for use in potentially explosive atmospheres



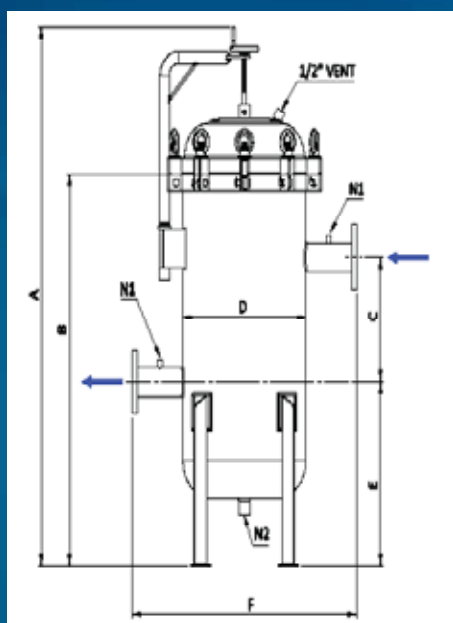
MULTI CELL HOUSING SPECIFICATIONS (STAINLESS STEEL)

FILTER VESSEL DATA

UNIT TYPE	No. of Baskets	Max Flow Rate (GPM)/(M ³ HOUR)	SURFACE AREA	CELL SIZE NOMINAL (INCHES)
FT-LPCPF-2-SIZE 2	2	350/80	8.8/0.82	7x32 #2
FT-LPCF-3- SIZE 2	3	525/120	13.21/1.23	7x32 #2
FT-LPCF-4- SIZE 2	4	700/160	17.6/1.64	7x32 #2
FT-LPCF-5- SIZE 2	5	875/200	22/2.05	7x32 #2
FT-LPCF-6- SIZE 2	6	1050/238	26.4/2.46	7x32 #2
FT-LPCF-8- SIZE 2	8	1400/318	35.2/3.28	7x32 #2
FT-LPCF-10- SIZE 2	10	1750/397	44/4.1	7x32 #2
FT-LPCF-12- SIZE 2	12	2100/477	52.8/4.92	7x32 #2
FT-LPCF-17- SIZE 2	17	2975/677	74.8/6.97	7x32 #2

FILTER VESSEL SIZE & DIMENSIONS

TYPE (MM/INCH)	A	B	C	D	E	F	N1	N2
FT-LPCPF-2-SIZE 2	1397/55	1016/40	323/12.7	400/15.7	476/18.7	710/28	1/2'	1"
FT-LPCF-3- SIZE 2	1397/55	1016/40	323/12.7	450/17.7	492/19.3	762/30	1/2'	1"
FT-LPCF-4- SIZE 2	1397/55	1067/42	323/12.7	600/23.6	527/20.8	910/35.8	1/2'	1"
FT-LPCF-5- SIZE 2	1397/55	1067/42	323/12.7	660/26	520/20.5	965/38	1/2'	1"
FT-LPCF-6- SIZE 2	1525/60	1067/42	323/12.7	660/26	520/20.5	965/38	1/2'	1"
FT-LPCF-8- SIZE 2	1525/60	1093/43	323/12.7	750/29	550/21.6	1060/41.7	1/2'	1"
FT-LPCF-10- SIZE 2	1870/73.6	1320/52	450/17.7	900/35.4	590/23	1200/47	1/2'	1"
FT-LPCF-12- SIZE 2	2100/82.6	1570/61.8	558/22	1000/39.3	600/23.6	1370/53.9	1/2'	1"
FT-LPCF-17- SIZE 2	2092/82	1463/57.5	431/17	1067/42	618/24	1525/60	1/2'	1"



Schematic of filter housing



- Max Pressure: 10 bar
- Design Temperature: Max 148°C
- Material: SS303, SS316L

FIRST FOR HIGH FLOW FILTRATION

Filtertechnik's Stainless Steel 12 round housings for exceptional filtration at high flow rates.



Our multi-cell housings are designed and built to the highest specifications with flow rates from 100 to 5,000 L/min. Available in either Stainless Steel or Carbon Steel, these high flow filter housings are ideal for bulk applications.

Extensively specified into:

- Oil & Gas
- Water treatment
- Mining
- Marine
- Power generation
- Automotive

PRODUCT OVERVIEW

Filbertechnik filter housings are designed for a wide range of industrial filtration applications. They are also suitable for use with the industry standard Filbertechnik 7" filter cells that are widely used in today's process, water, oil and fuel industries.

The housing will accept the full range of industry standard filter cells ranging from 1 to 1000 micron, along with a new range of High Efficiency cells for more critical applications.

In order to increase throughput, two or more filter housings can be connected in parallel to form duplex arrangements. This allows for both filters to be run simultaneously or for one filter to be isolated and serviced whilst the other is operational. Due to the low cost nature of the consumables, Filbertechnik filter housings are often used as sacrificial filters to offer excellent protection of more expensive filters elsewhere in the system. With operating pressures up to 10 bar, Filbertechnik filter housings offer excellent versatility and can be used as a primary or main filter.

OILS, FUELS, WATER AND PROCESS FLUIDS

The LCPF series filter cell housing is very flexible with adjustable legs and bottom or side outlet connection. This makes it ideal for batch applications, where free draining and frequent process changes take place. Distinguished by its economy, high build quality and wide ranging options list, this housing can be used with almost all liquids used in processing industries.

LCPF SERIES MULTI-CELL HOUSINGS - 12 FILTER CELLS

PRODUCT SPECIFICATION

- /// Rugged at 10 bar liquid, 4.5 bar gas
- /// Rugged Stainless Steel Construction
- /// High Flow Rates
- /// Enormous dirt holding capacity
- /// Wide selection of micron size inserts available
- /// Compact footprint with bolt down legs
- /// Internal O-ring seal for extra filtration efficiency
- /// Drain port at base of housing

FEATURES

- /// Large-area, heavy-duty baskets
- /// O-ring: Buna N, EP, Viton, Teflon
- /// Connection standard include: DIN, JLS, ANSI
- /// Low pressure drops
- /// Multi-baskets are available
- /// Covers are secured by eye nut assemblies
- /// Easy to clean basket, basket holds down
- /// 1" - 2" drain port
- /// 1/4" to 1" pressure gauge / vent tap
- /// Polish or blasted finish

BENEFITS

- /// Minimise risk of seal bypass
- /// Integral vent to aid efficient filter change-out
- /// Each housing is etched with a unique serial number for full traceability
- /// Available from stock for immediate delivery
- /// Bolted style closures
- /// Conform and exceed required safety standards - CE marked, European Pressure Equipment Directive, 97/23/EC and ATEX Directive 94/9/EC for use in potentially explosive atmospheres



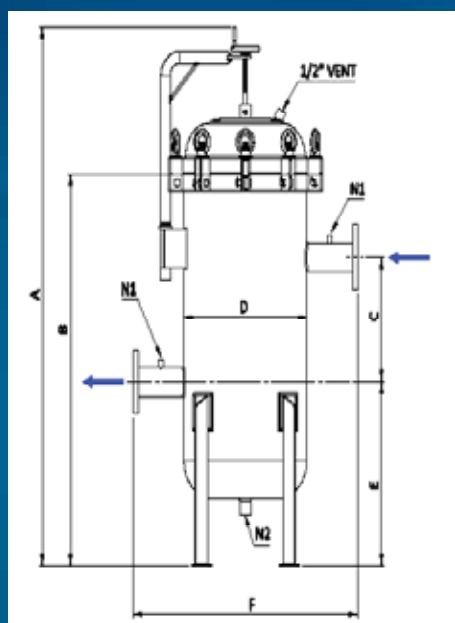
MULTI FILTER HOUSING SPECIFICATIONS (STAINLESS STEEL)

FILTER VESSEL DATA

UNIT TYPE	No. of Baskets	Max Flow Rate (GPM)/(M ³ HOUR)	SURFACE AREA	CELL SIZE NOMINAL (INCHES)
FT-LPCPF-2-SIZE 2	2	350/80	8.8/0.82	7x32 #2
FT-LPCF-3- SIZE 2	3	525/120	13.21/1.23	7x32 #2
FT-LPCF-4- SIZE 2	4	700/160	17.6/1.64	7x32 #2
FT-LPCF-5- SIZE 2	5	875/200	22/2.05	7x32 #2
FT-LPCF-6- SIZE 2	6	1050/238	26.4/2.46	7x32 #2
FT-LPCF-8- SIZE 2	8	1400/318	35.2/3.28	7x32 #2
FT-LPCF-10- SIZE 2	10	1750/397	44/4.1	7x32 #2
FT-LPCF-12- SIZE 2	12	2100/477	52.8/4.92	7x32 #2
FT-LPCF-17- SIZE 2	17	2975/677	74.8/6.97	7x32 #2

FILTER VESSEL SIZE & DIMENSIONS

TYPE (MM/INCH)	A	B	C	D	E	F	N1	N2
FT-LPCPF-2-SIZE 2	1397/55	1016/40	323/12.7	400/15.7	476/18.7	710/28	1/2'	1"
FT-LPCF-3- SIZE 2	1397/55	1016/40	323/12.7	450/17.7	492/19.3	762/30	1/2'	1"
FT-LPCF-4- SIZE 2	1397/55	1067/42	323/12.7	600/23.6	527/20.8	910/35.8	1/2'	1"
FT-LPCF-5- SIZE 2	1397/55	1067/42	323/12.7	660/26	520/20.5	965/38	1/2'	1"
FT-LPCF-6- SIZE 2	1525/60	1067/42	323/12.7	660/26	520/20.5	965/38	1/2'	1"
FT-LPCF-8- SIZE 2	1525/60	1093/43	323/12.7	750/29	550/21.6	1060/41.7	1/2'	1"
FT-LPCF-10- SIZE 2	1870/73.6	1320/52	450/17.7	900/35.4	590/23	1200/47	1/2'	1"
FT-LPCF-12- SIZE 2	2100/82.6	1570/61.8	558/22	1000/39.3	600/23.6	1370/53.9	1/2'	1"
FT-LPCF-17- SIZE 2	2092/82	1463/57.5	431/17	1067/42	618/24	1525/60	1/2'	1"



Schematic of filter housing



- ▶ Max Pressure: 10 bar
- ▶ Design Temperature: Max 148°C
- ▶ Material: SS303, SS316L



*Images above for illustrative purposes only